

SSV7241

2.4 GHz GFSK TRANSCEIVER

DATASHEET

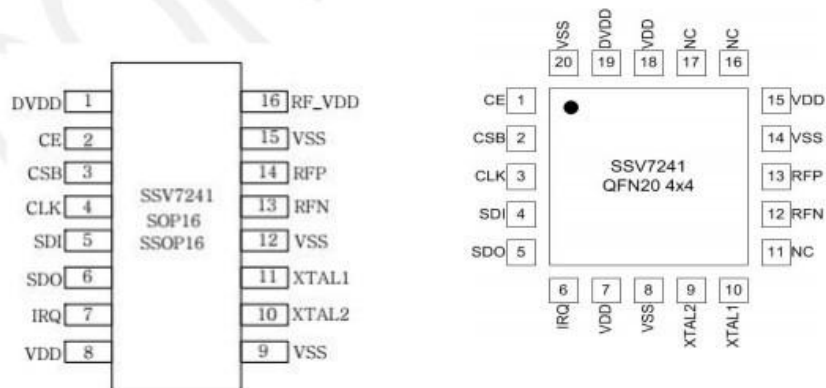
Features

- 2.4 GHz ISM band operation
- 250kbps, 1Mbps, and 2Mbps air rate
- Continuous TX mode, no re-lock between packets required*
- Programmable status monitor: dedicated RX/FIFO monitor mode*
- 1.9 to 3.6V supply range
- Automatic packet processing
- Advanced RSSI recording mode*
- Up to 6 data pipes for 1 RX to multiple TXs
- Low-cost BOM and minimum BOM count for operation*
- ± 60 ppm 16 MHz crystal tolerable
- 16-pin 10x6mm sop16 package
- 16-pin 8.2x6.5mm sop16 package
- 20-pin 4x4mm QFN package

Applications

- Wireless PC peripherals
- Wireless keyboards and mice
- Wireless gamepads
- Wireless audio
- VOIP & wireless headsets
- Remote controls
- Home automation
- Toys
- Consumer electronics
- Personal health and entertainment products

* SSV7241 feature



All rights reserved

Proprietary and confidential information of South Silicon Valley Microelectronics
NOV 2015